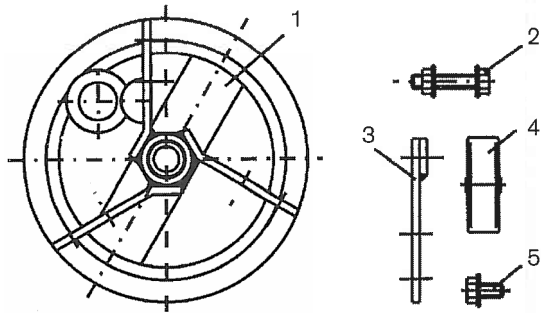




PNEUMATISCHE SANIERUNGS- PACKER

ANLEITUNGEN FÜR PACKERRAD-EINSTELLUNGEN

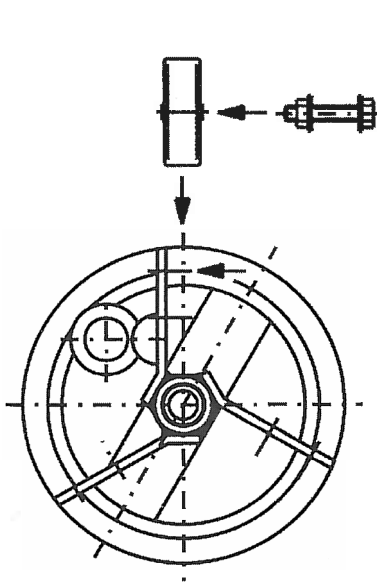
PACKER 15/20 (6"/8")



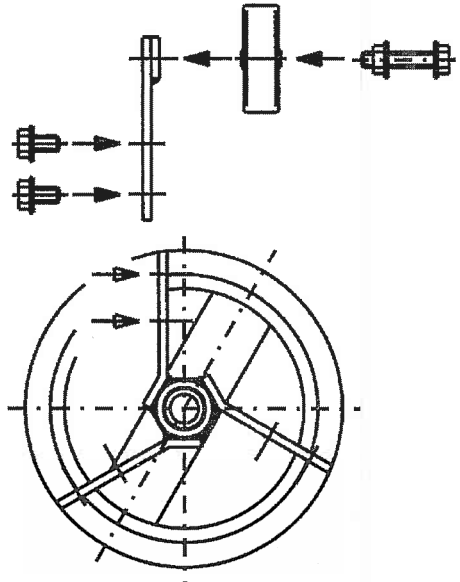
KEY:

- 1 - BASIC END OF PACKER
- 2 - PACKER WHEEL FASTENING BOLT (SCREW)
- 3 - WHEEL CARRIER EXTENSION PIECE
- 4 - PACKER WHEEL
- 5 - WHEEL CARRIER FASTENING BOLT (SCREW)

POSITION 1

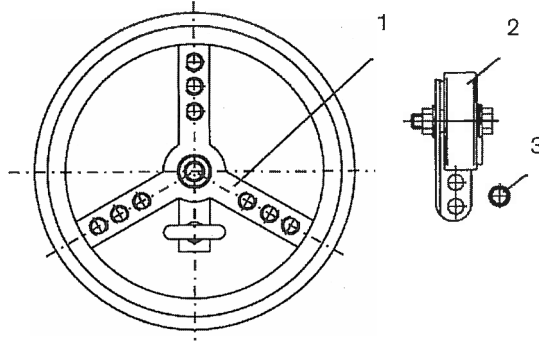


POSITION 2



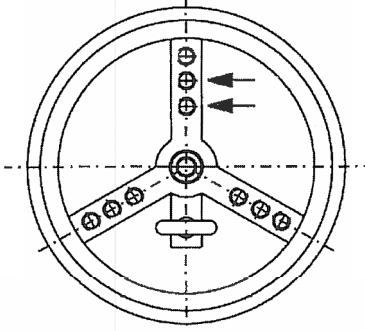
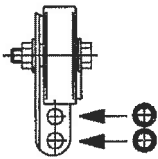
POSITION 1 - PIPE DIAMETER OF 150 mm (6")
POSITION 2 - PIPE DIAMETER OF 200 mm (8")

PACKER 25/30 (10"/12")
PACKER 30/35 (12"/14")
PACKER 35/40 (14"/16")

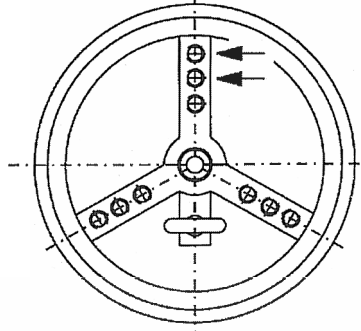
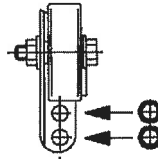


- KEY:**
 1 - BASIC END OF PACKER
 2 - WHEEL CARRIER WITH PACKER WHEEL
 3 - WHEEL CARRIER FASTENING BOLT (SCREW)

POSITION 1



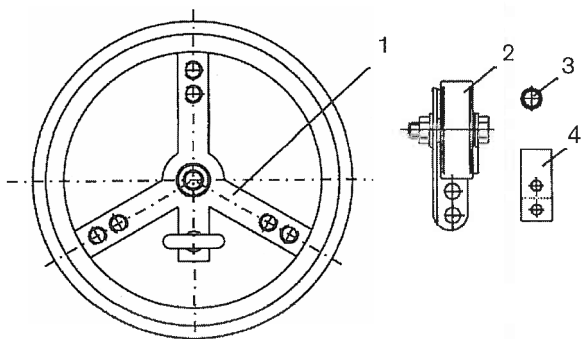
POSITION 2



EXAMPLE PACKER 25/30
 POSITION 1 - PIPE DIAMETER OF 250 mm (10")
 POSITION 2 - PIPE DIAMETER OF 300 mm (12")

PACKER 45/50 (18"/20")

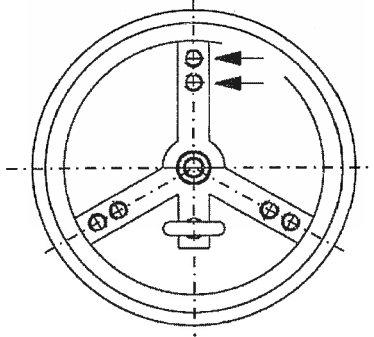
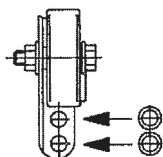
PACKER 60/70 (24"/28")



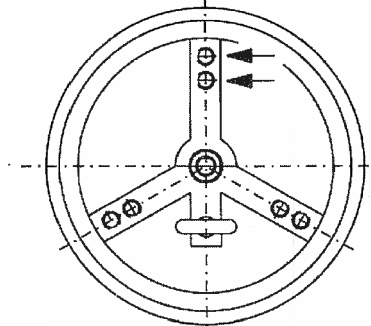
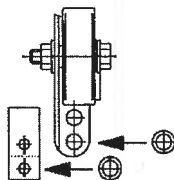
LEGENDE:

- 1 - RADKREUZ
- 2 - RADHALTER MIT RAD
- 3 - SCHRAUBE FÜR RADHALTER
- 4 - DISTANZSTÜCK

POSITION 1



POSITION 2

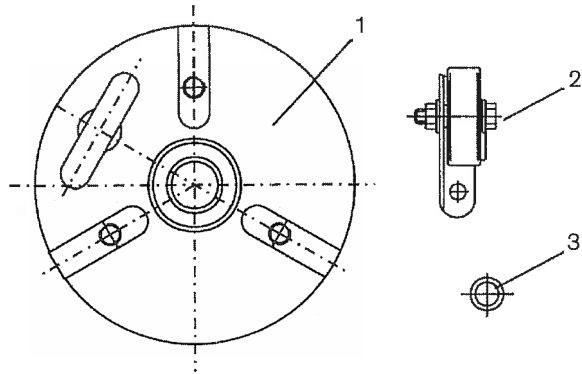


BEISPIEL PACKER 45/50

POSITION 1 - ROHRDURCHMESSER 450 mm (18")

POSITION 1 - ROHRDURCHMESSER 500 mm (20")

PACKER FLEX 10/15 (4"/6")

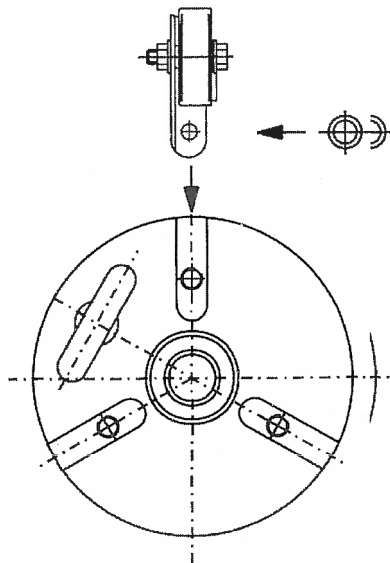


KEY:

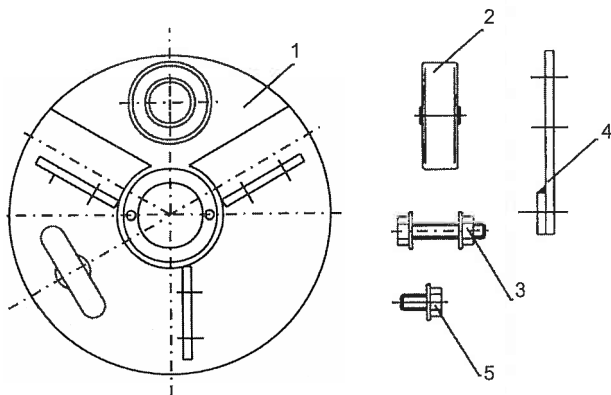
1 - BASIC END OF PACKER

2 - PACKER EXTENSION PIECE (for pipe diameter of 100 mm (4"), OF 150 mm (6"))

3 - PACKER EXTENSION PIECE FASTENING BOLT (SCREW)



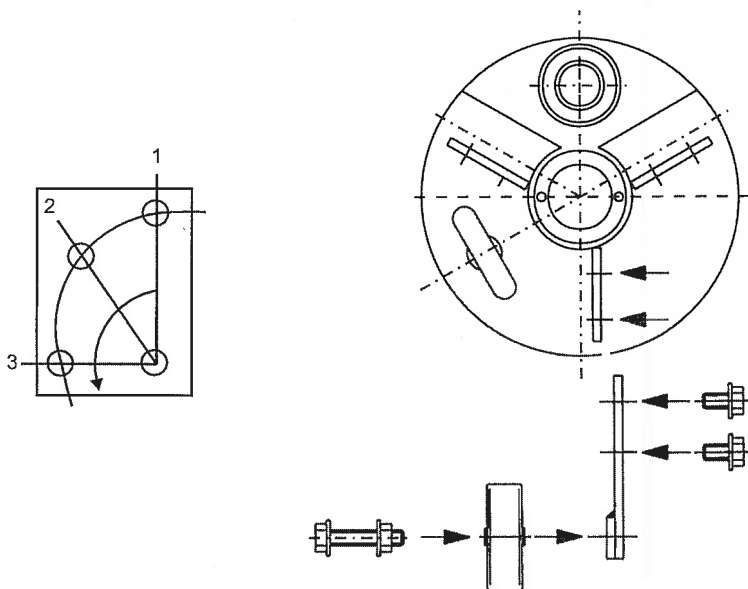
PACKER FLEX 15/25 (6"/10")



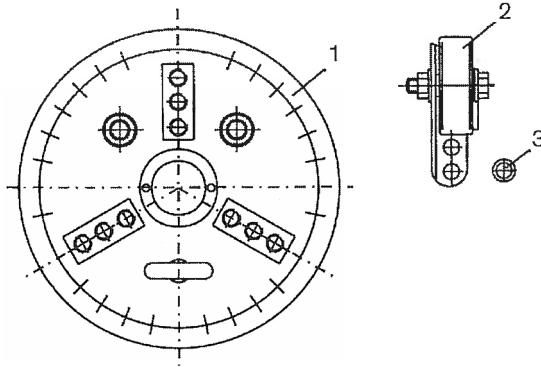
LEGENDE:

- 1 - RADKREUZ
- 2 - PACKERRAD
- 3 - SCHRAUBE FÜR RAD
- 4 - DISTANZSTÜCK - position 1, 2, 3, - (150 mm (6")), (200 mm (8")), (250 mm (10"))
- 5 - SCHRAUBE FÜR DISTANZSTÜCK

POSITION 1, 2, 3



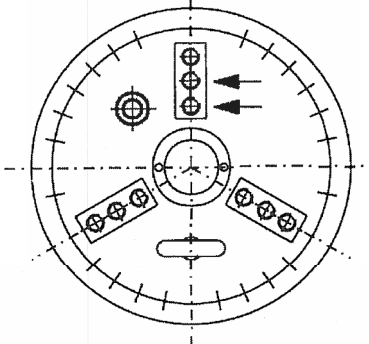
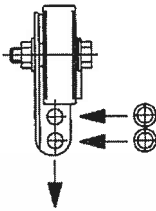
PACKER FLEX 30/40 (12"/16")



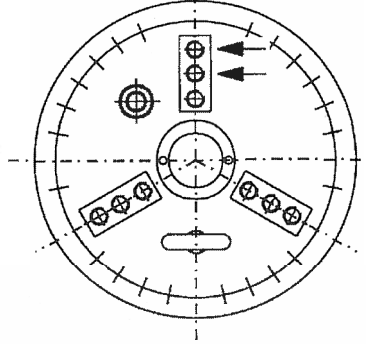
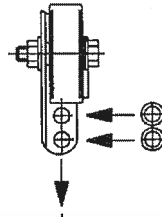
KEY:

- 1 - BASIC END OF PACKER
- 2 - WHEEL CARRIER WITH PACKER WHEEL
- 3 - PACKER CARRIER FASTENING BOLT (SCREW)

POSITION 1



POSITION 2

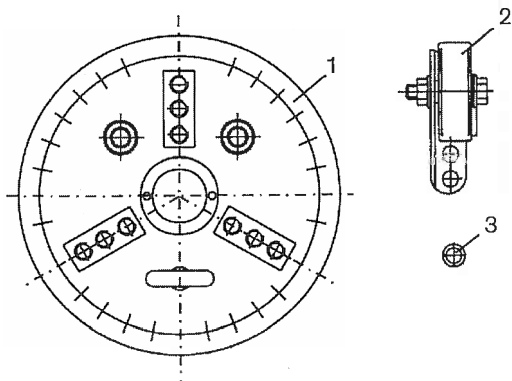


EXAMPLE PACKER 30/40

POSITION 1 - PIPE DIAMETER OF 300 mm (12")

POSITION 2 - PIPE DIAMETER OF 400 mm (14")

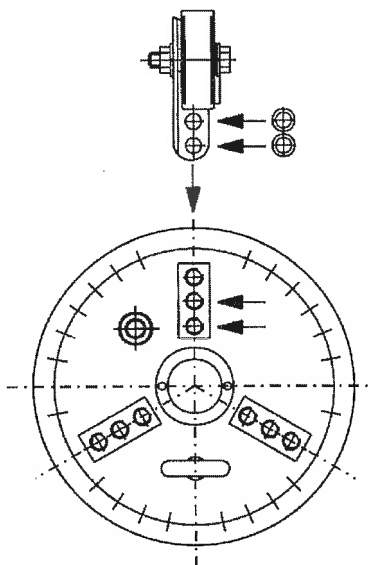
PACKER FLEX 45/60 (18"/24") PACKER FLEX 60/80 (24"/32")



LEGENDE:

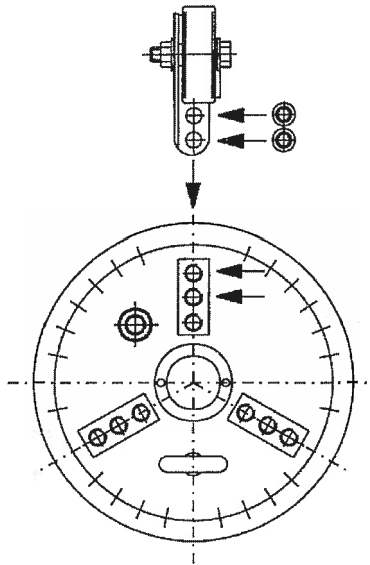
- 1 - RADKREUZ
- 2 - RADHALTER MIT RAD
- 3 - SCHRAUBE FÜR RADHALTER

POSITION 1



PACKER FLEX 45/60 (18"/24") PACKER FLEX 60/80 (24"/32")

POSITION 2



EXAMPLE PACKER 60/80

POSITION 1 - PIPE DIAMETER OF 600 mm (12")

POSITION 2 - PIPE DIAMETER OF 700 mm (14"), 800 mm (32")

NOTE: _____
